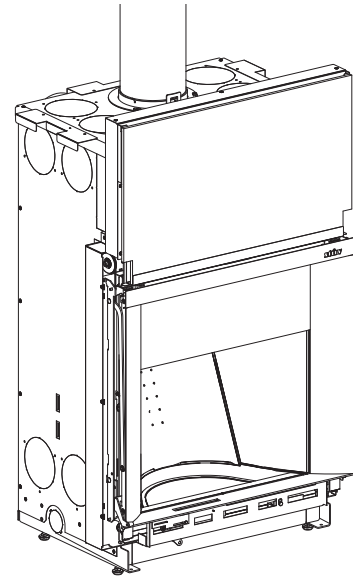


microMega | The stove

stûv

unique design	micro combustion chamber Mega vision of the flames
continuous line	fluidity, integration into the architecture
control of the fire	precision control of combustion air; the control operates five air channels
air-tightness	control over the distribution of combustion air; sweeping of the glass, no consumption of room air; no CO in the living room
excellent efficiency	even at half-power
low pollutant levels	low emission of CO and fine particles even at half-power
economical	low wood consumption
for traditional and energy-efficient homes	✓
180-mm smoke outlet	at back or above
various patents	✓



TECHNICAL SPECIFICATIONS

GENERAL

TYPE OF SYSTEM	fitted
MATERIALS	steel + cast iron
COLOUR	Stûv black
LOADING	manual
FUEL	wood
POSITION OF LOGS	vertical
LENGTH OF LOGS	30 cm

WEIGHT / DIMENSIONS

WEIGHT	223 kg
Ø OF SMOKE DUCT	180 mm
Ø HOT-AIR OUTLETS	150 mm
Ø OUTSIDE AIR INLET	100 mm

AIR

DIRECT OUTSIDE INLET	✓
CONTROL OF PRIMARY AIR	✓
CONTROL OF SECONDARY AIR	✓
POST-COMBUSTION	✓
AIR-TIGHTNESS	+++
OPERATION WITHOUT FAN	✓
OVERHEATING INDICATOR	✓

PERFORMANCE

RATED OUTPUT	11 kW
USAGE RANGE	5-11 kW
EFFICIENCY	80%
CO EMISSIONS	0,08%
FINE PARTICLE EMISSIONS	34 mg/Nm ³
RANGE OF WOOD CONSUMPTION	1,4-3,1 kg/h
MINIMUM DRAW	12 Pa
SMOKE MASS FLOW	9,6 g/s
AVERAGE SMOKE TEMPERATURE	273°C
CONSUMPTION OF ROOM AIR FOR COMBUSTION	27 m ³ /h
ENERGY EFFICIENCY INDEX (EEI)	107
ENERGY EFFICIENCY CLASS	A+

MIN. THICKNESS OF INSULATION BETWEEN STOVE AND COMBUSTIBLE MATERIALS

BACK FACE	3 cm
SIDE FACE	3 cm
UPPER FACE	5 cm
INSIDE FACE	3 cm

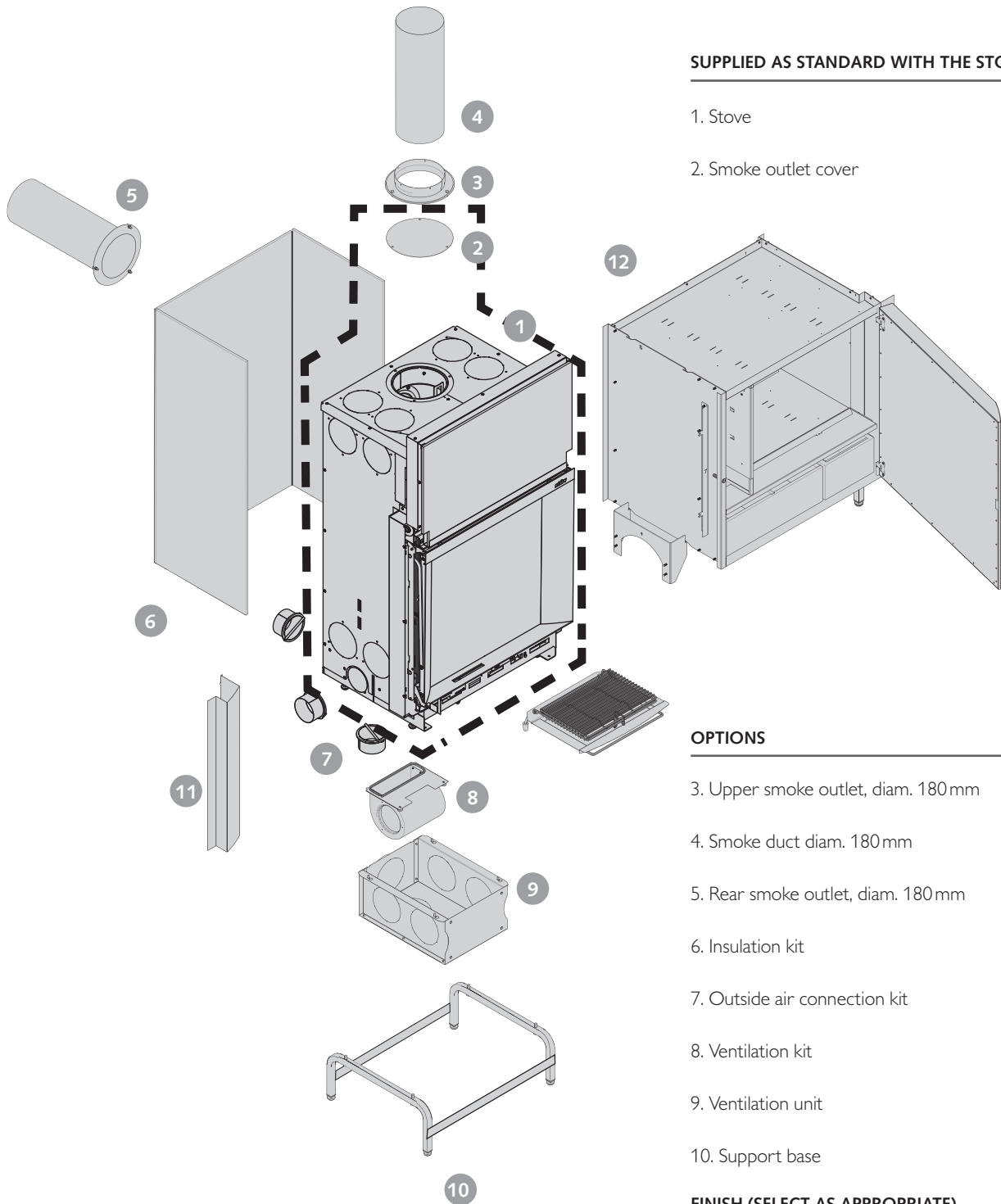
ACCESSORIES / EQUIPMENT

ACCUMULATION	X
CUPBOARDS	○
BARBECUE	○
ASHTRAY	X
FAÇADE	○
OPEN FIRE	✓
MOBILOBOX	X
GROUND PLATE	X
READY-TO-FIT	○
LOG RACK	○
ROTARY FUNCTION	X
BASE	X
FAN	○
RETRACTABLE GLASS	✓

LÉGENDE

✓	STANDARD
X	UNAVAILABLE
○	OPTIONAL

THE BASIC STOVE AND ITS OPTIONAL FEATURES



SUPPLIED AS STANDARD WITH THE STOVE

- 1. Stove
- 2. Smoke outlet cover

OPTIONS

- 3. Upper smoke outlet, diam. 180 mm
- 4. Smoke duct diam. 180 mm
- 5. Rear smoke outlet, diam. 180 mm
- 6. Insulation kit
- 7. Outside air connection kit
- 8. Ventilation kit
- 9. Ventilation unit
- 10. Support base

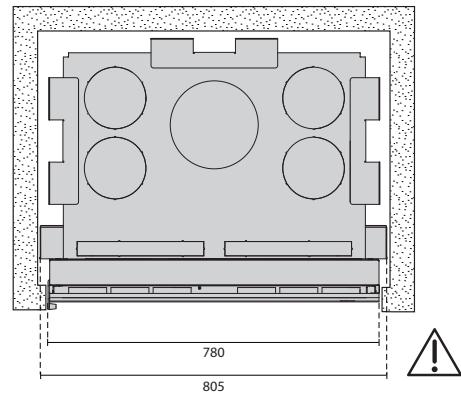
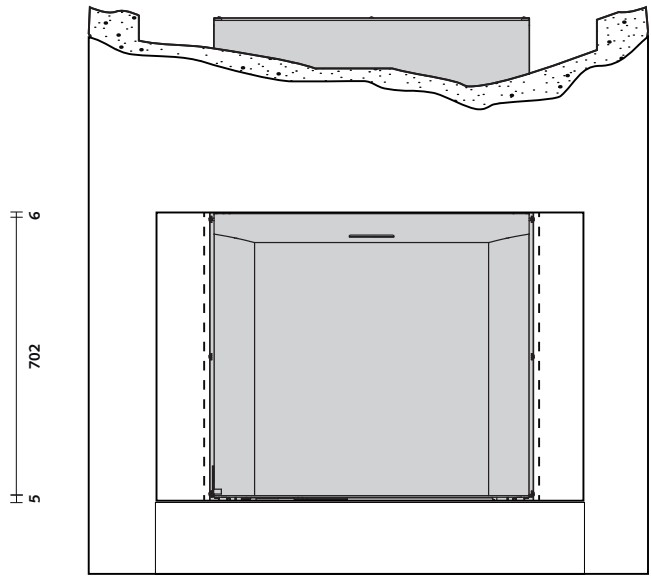
FINISH (SELECT AS APPROPRIATE)

- 11. Steel finish flange
- 12. Stuv microMega storage unit

microMega | The stove

DIMENSIONS OF THE RECESS

FOR STOVE ALONE

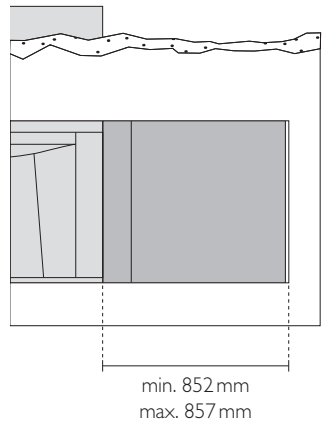


180 *
380

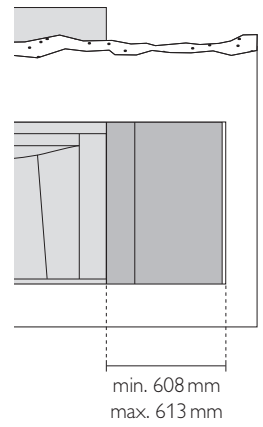
* 180-mm height for stove without Stûv base and 380 mm if the base is installed. Dimensions excluding insulation.



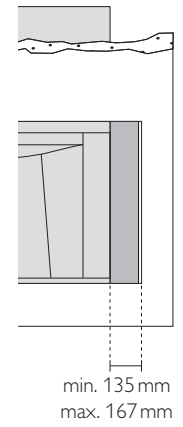
FOR STOVE WITH WIDE NICHES



FOR STOVE WITH NARROW NICHES

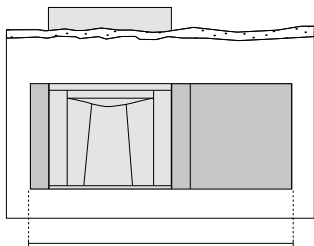


FOR STOVE WITH METAL EXTENSIONS



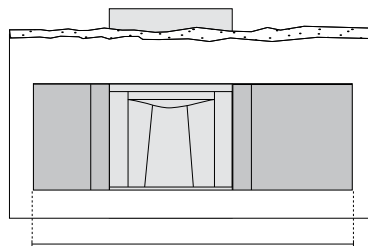
DIMENSIONS OF THE RECESS

**METAL EXTENSION
+ WIDE NICHE**



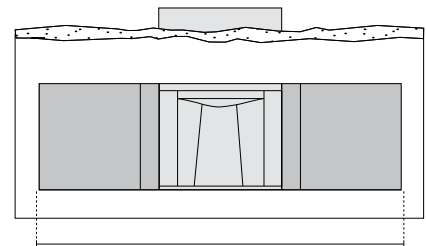
min. 1721 mm
max. 1754 mm

**NARROW NICHE
+ WIDE NICHE**



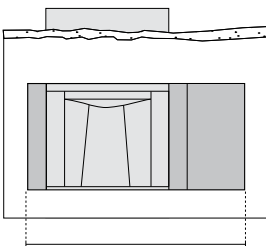
min. 2192 mm
max. 2200 mm

**WIDE NICHE
+ WIDE NICHE**



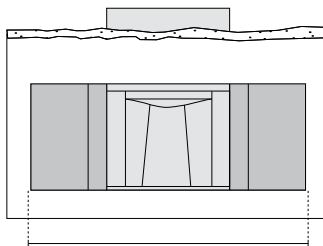
min. 2436 mm
max. 2444 mm

**METAL EXTENSION
+ NARROW NICHE**



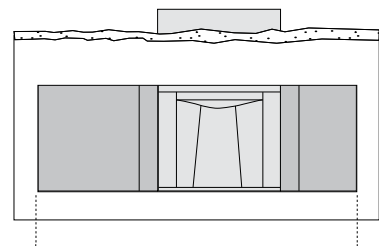
min. 1477 mm
max. 1510 mm

**NARROW NICHE
+ NARROW NICHE**



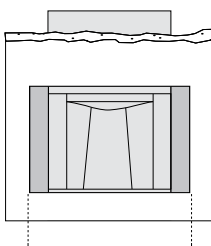
min. 1948mm
max. 1956 mm

**WIDE NICHE
+ NARROW NICHE**



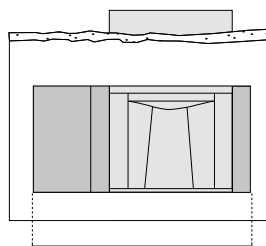
min. 2192 mm
max. 2200 mm

**METAL EXTENSION
+ METAL EXTENSION**



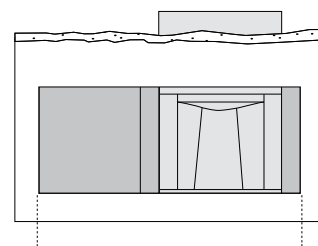
min. 1006 mm
max. 1064 mm

**NARROW NICHE
+ METAL EXTENSION**



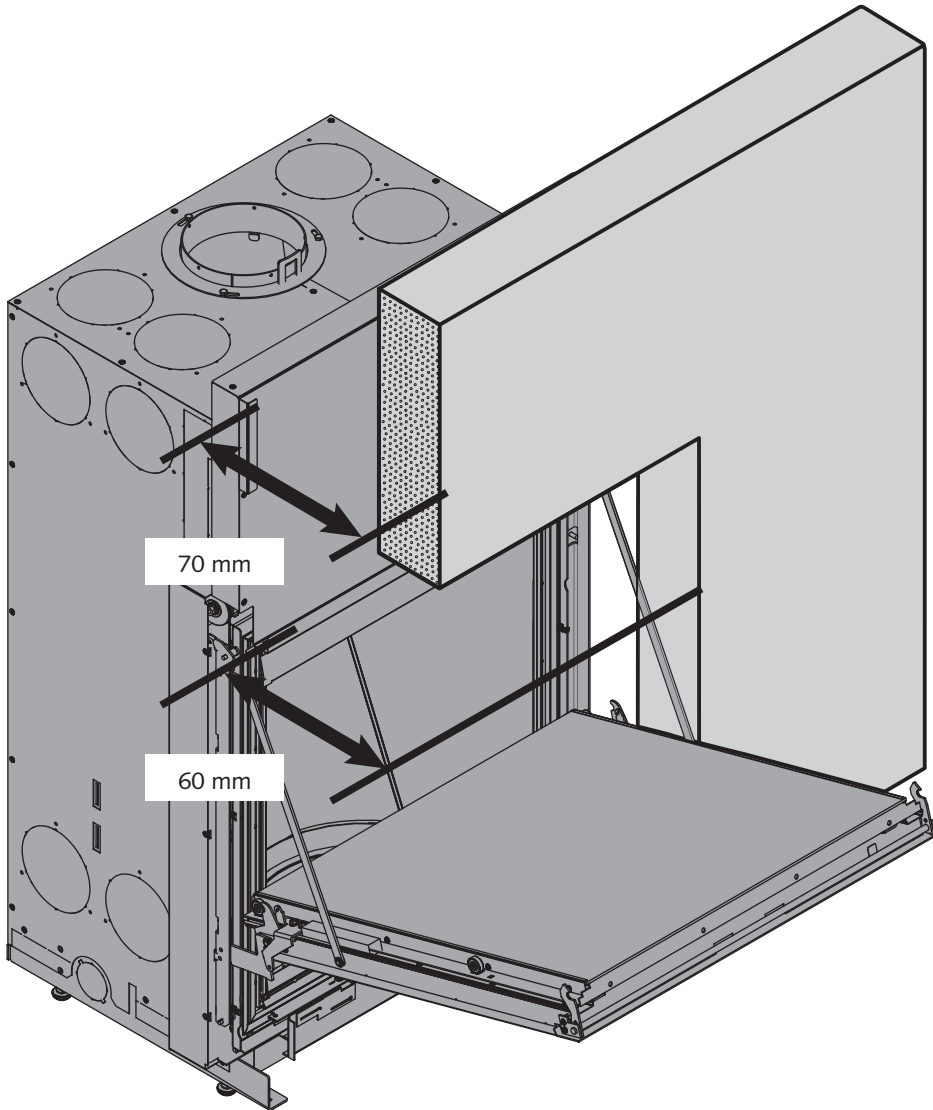
min. 1477 mm
max. 1510 mm

**WIDE NICHE
+ METAL EXTENSION**

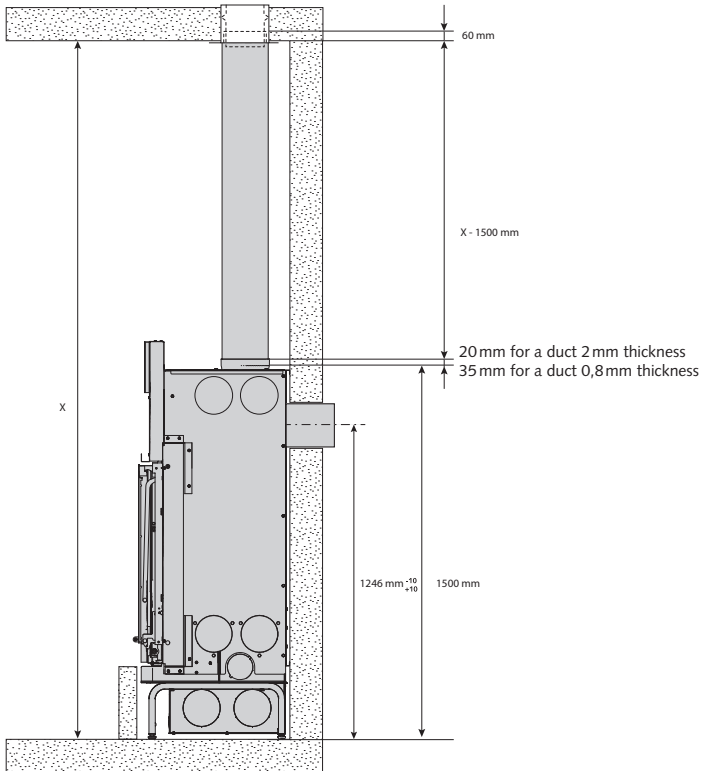


min. 1721 mm
max. 1754 mm

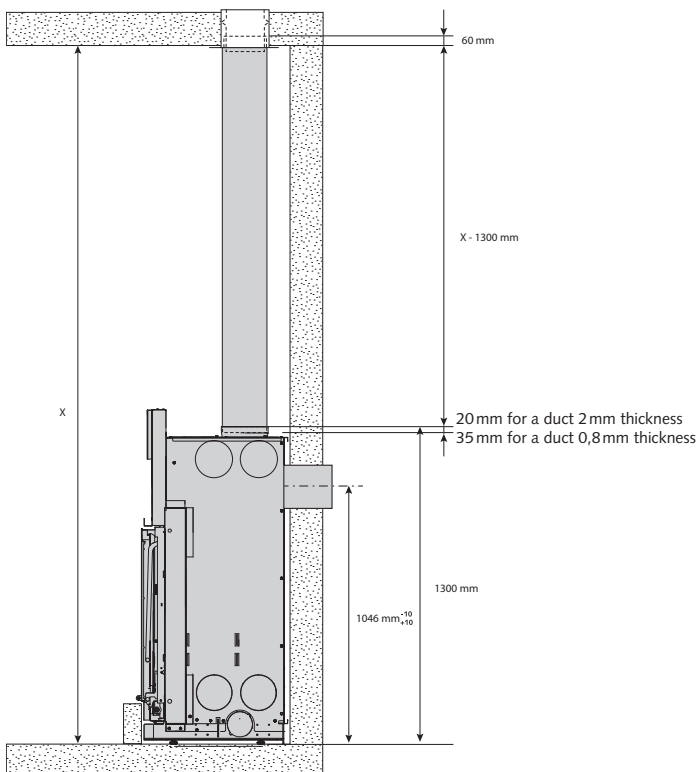
POSITION OF THE STOVE IN RELATION TO THE NICHE



SMOKE OUTLETS WITH TABLE SUPPORT



SMOKE OUTLETS WITHOUT TABLE SUPPORT

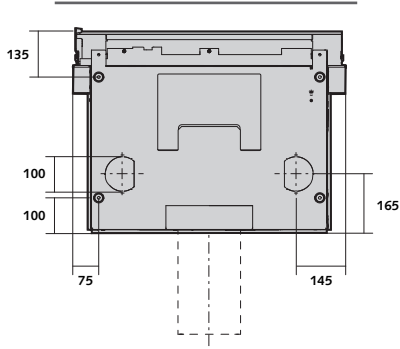


microMega | The stove

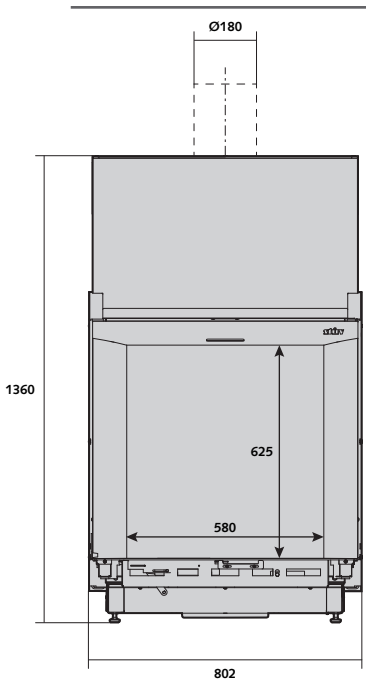


DIMENSIONS OF THE STOVE

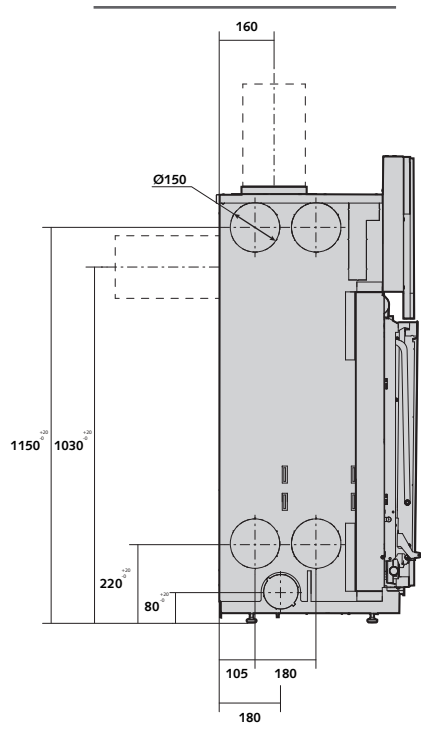
VIEW FROM ABOVE



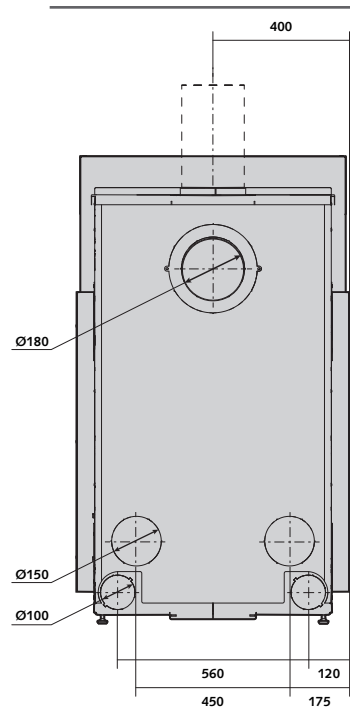
VIEW FROM FRONT



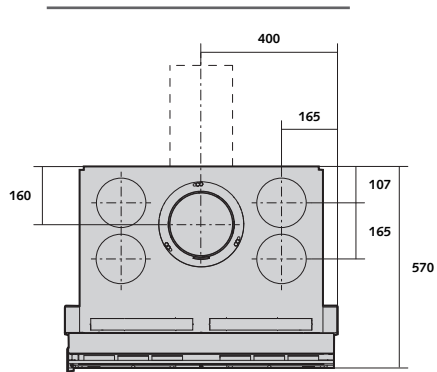
VIEW FROM BELOW



VIEW OF PROFILE

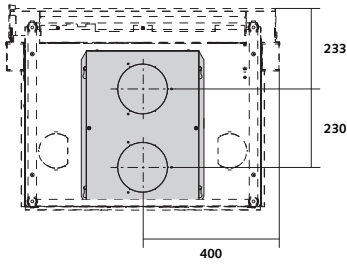


VIEW FROM BEHIND

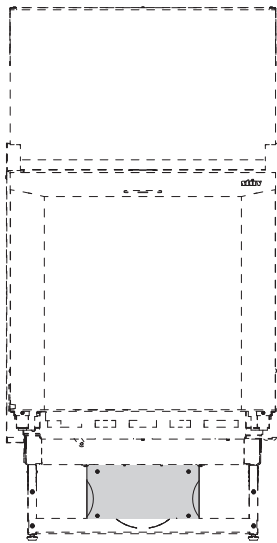


DIMENSIONS OF THE AIR BOX

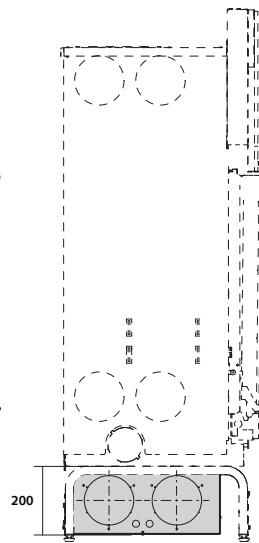
VIEW FROM ABOVE



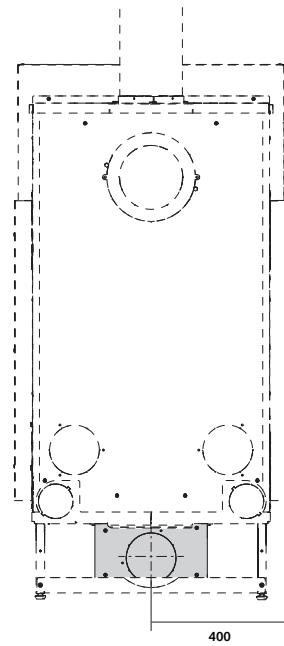
VIEW FROM FRONT



VIEW FROM BELOW

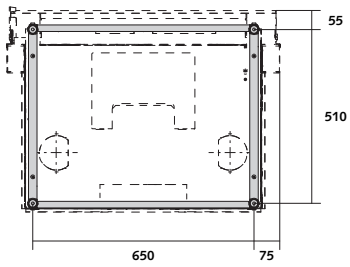


VIEW OF PROFILE

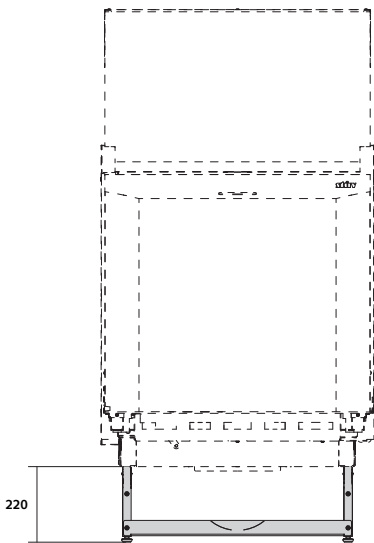


DIMENSIONS OF THE SUPPORT BASE

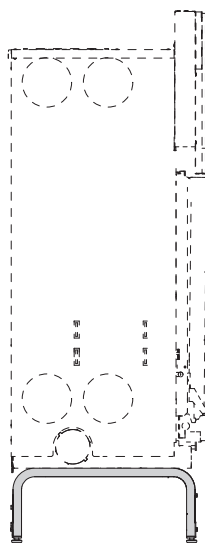
VIEW FROM ABOVE



VIEW FROM FRONT



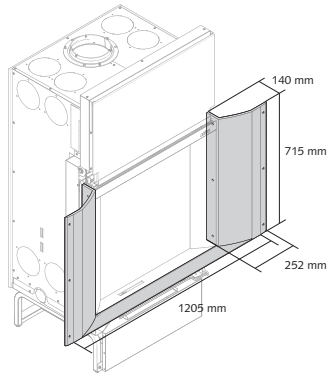
VIEW OF PROFILE



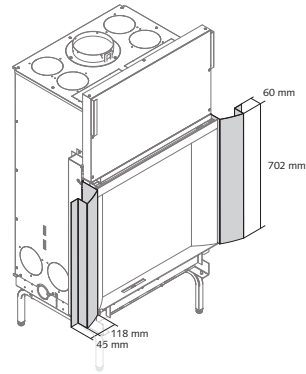
microMega | Configurations



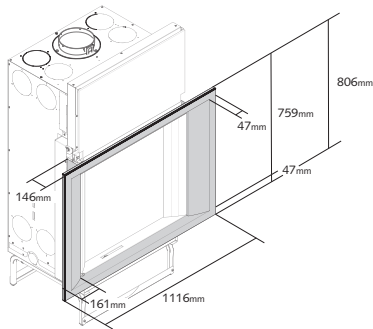
WITH METAL EXTENSIONS TO BE COATED



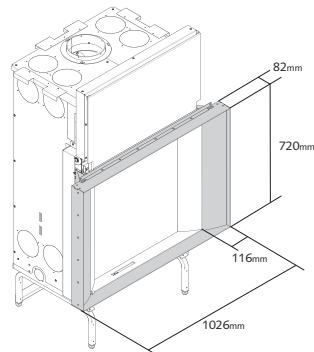
WITH METAL EXTENSIONS



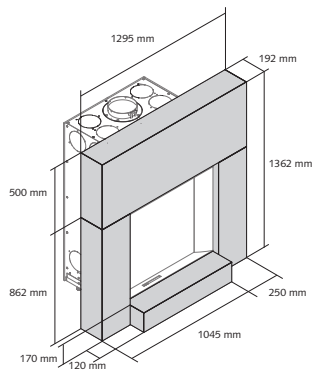
WITH FITTED FRAME



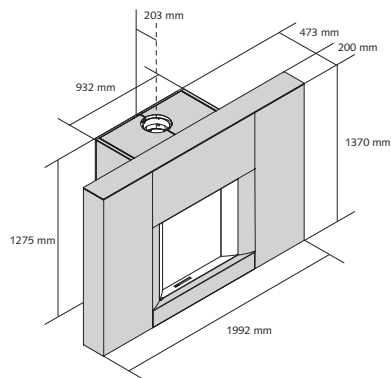
WITH NARROW FRAME



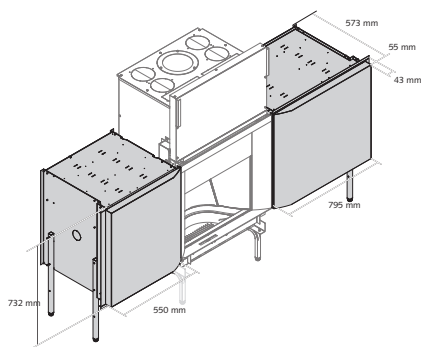
WITH STRAIGHT FAÇADE



READY-TO-FIT FIREPLACE

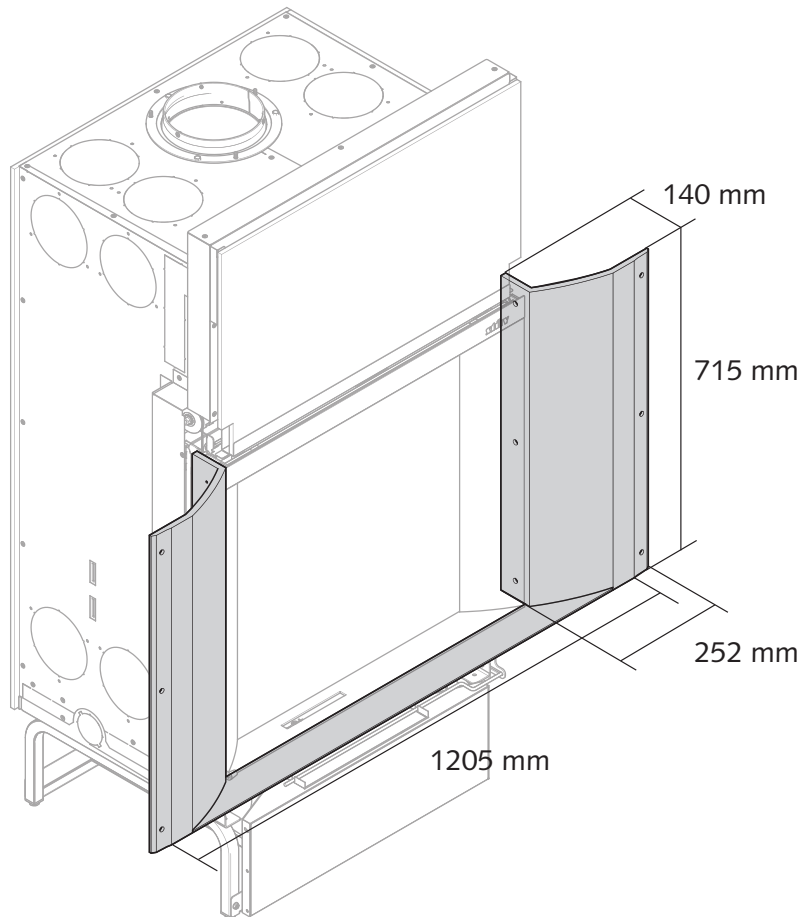


WITH INTEGRATED NICHE *

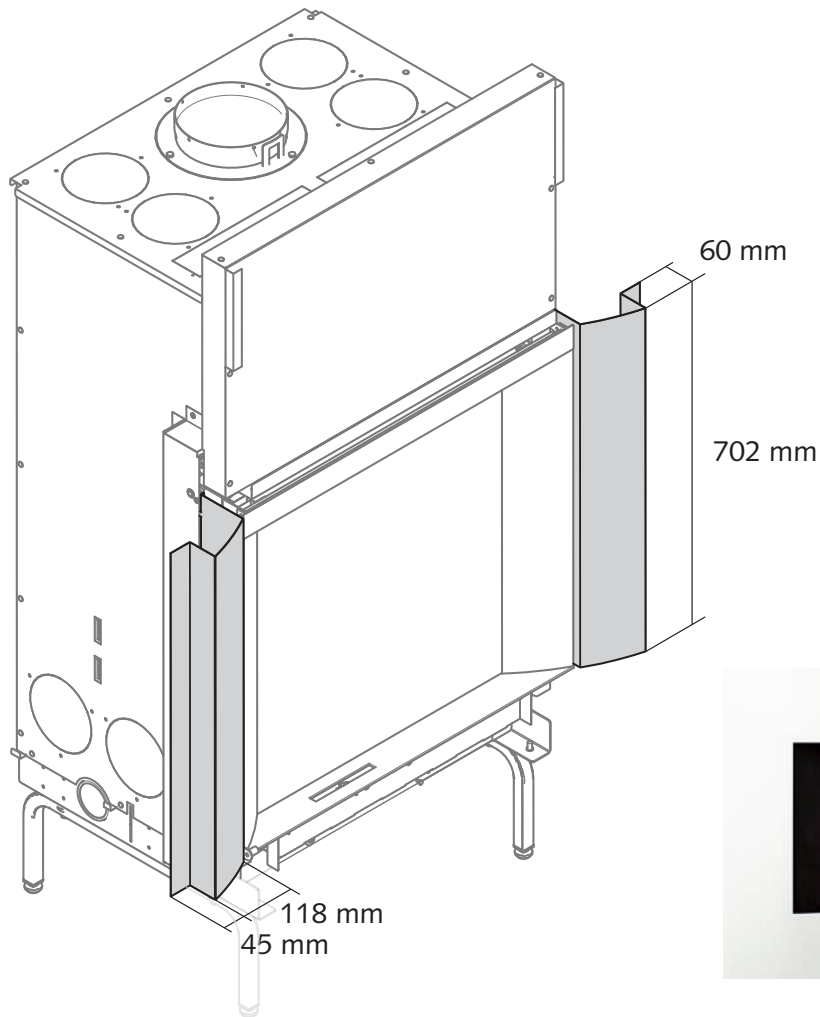


* Available in 50 cm or 80 cm

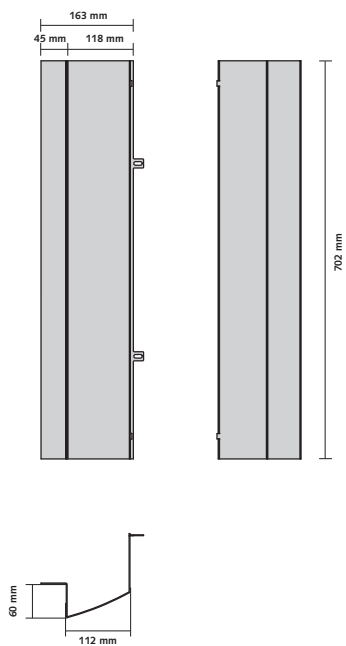
microMega + metal extensions to be coated



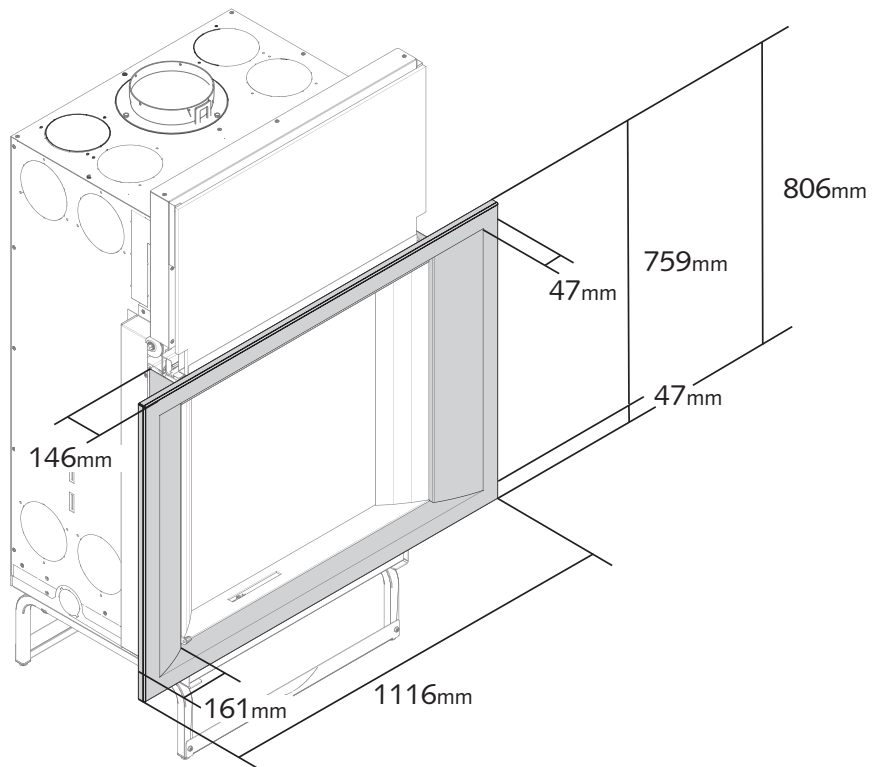
microMega + metal extensions



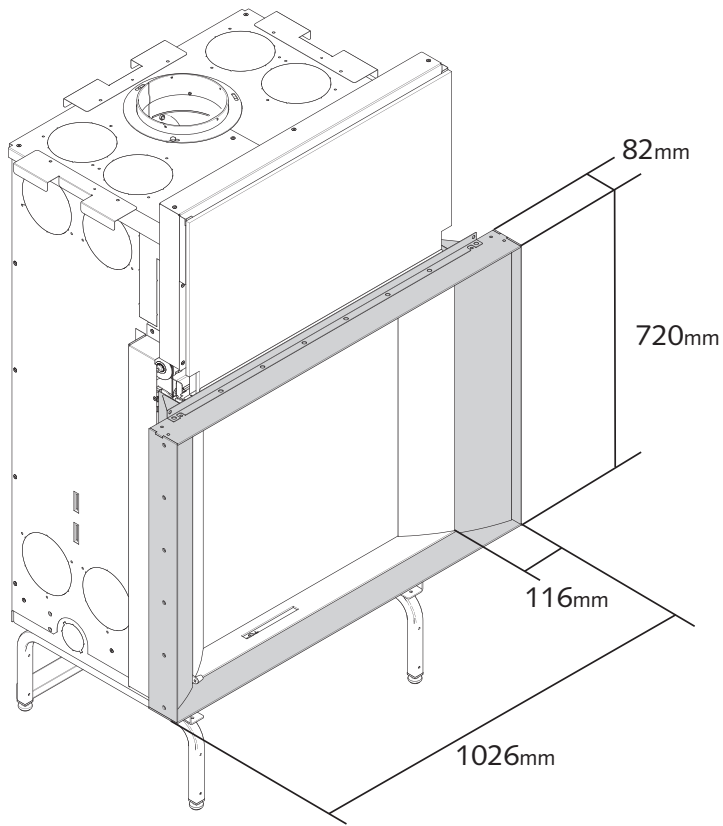
DIMENSIONS OF THE METAL EXTENSIONS



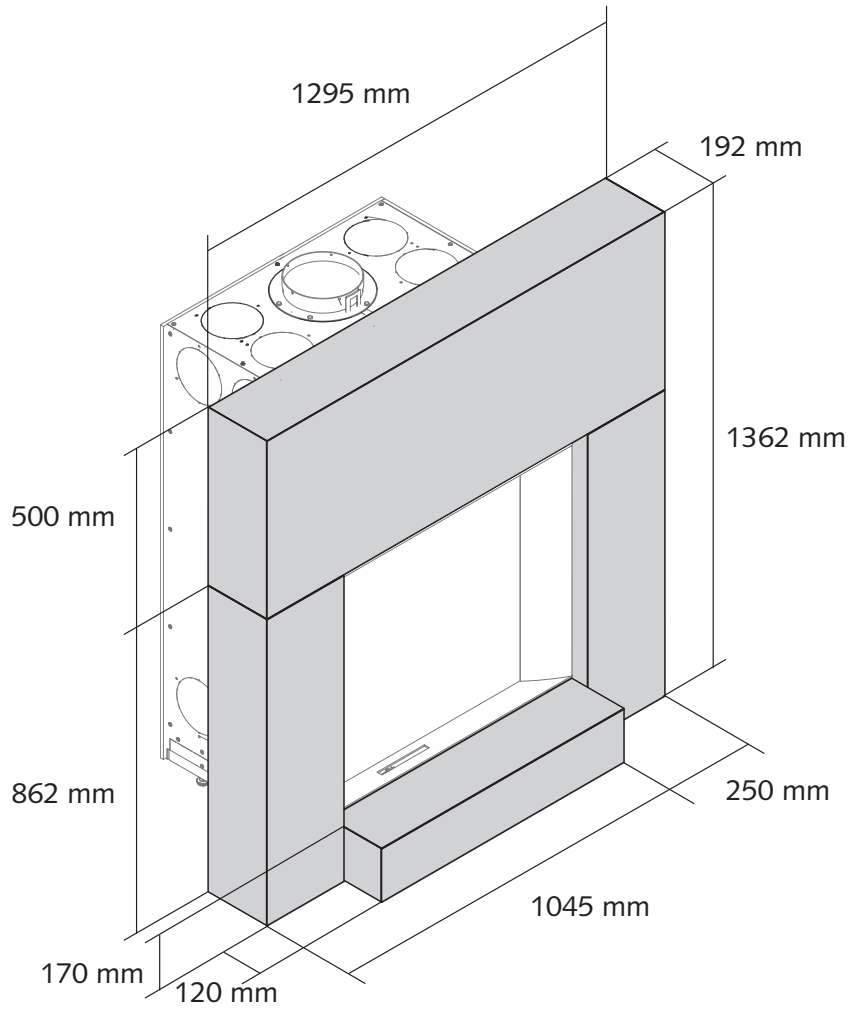
microMega + fitted frame



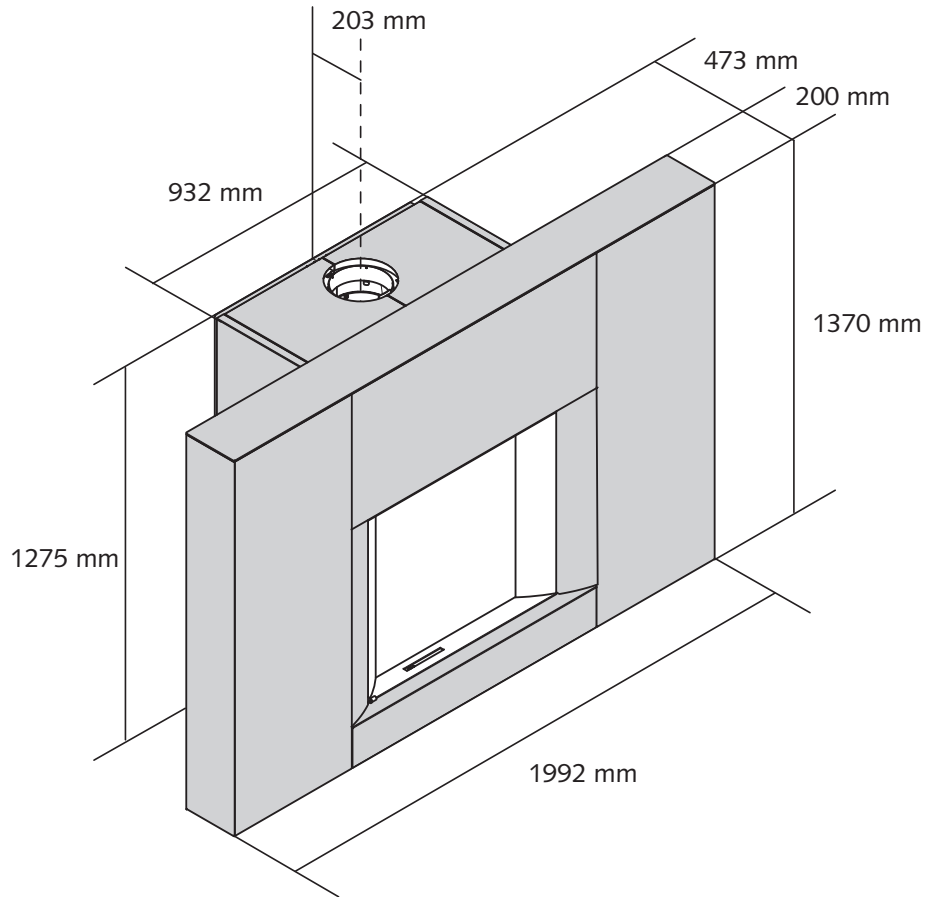
microMega + narrow frame



microMega + straight façade



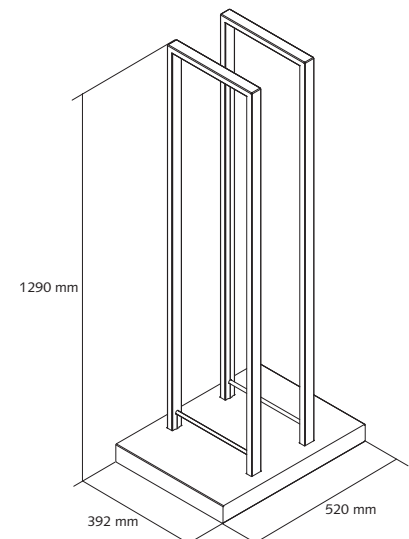
microMega + ready-to-fit fireplace



ACCESSORY

LOG TROLLEY 52 CM

RAL 9017 (ref. 11980621)



←
Stûv microMega
"ready-to-fit fireplace"
with log trolley

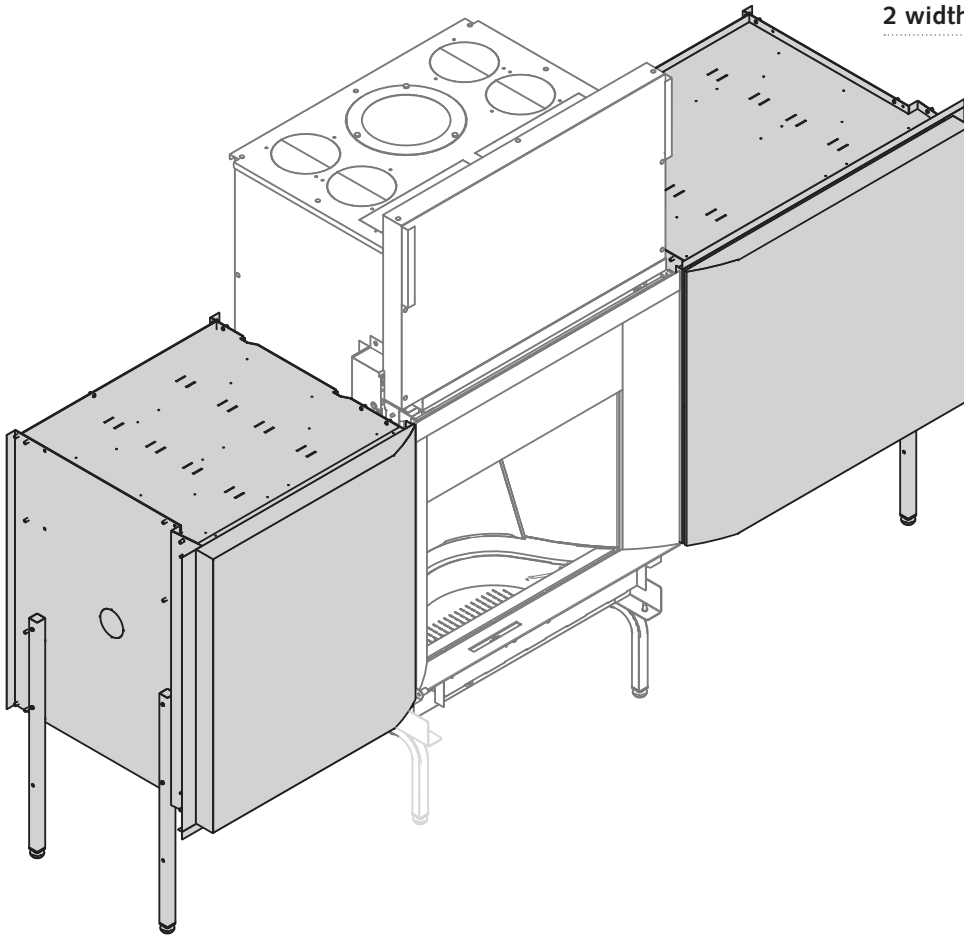
microMega + integrated niches



Scale fire at the corner

Doors painted in Stuv Black

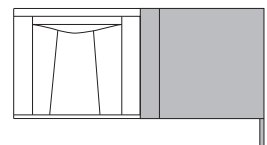
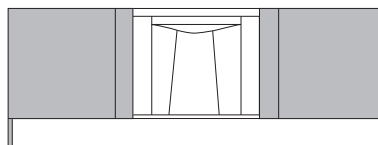
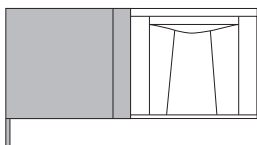
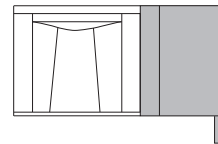
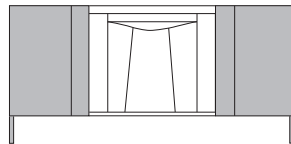
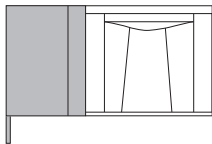
2 widths available



ASYMMETRICAL LEFT

SYMMETRICAL

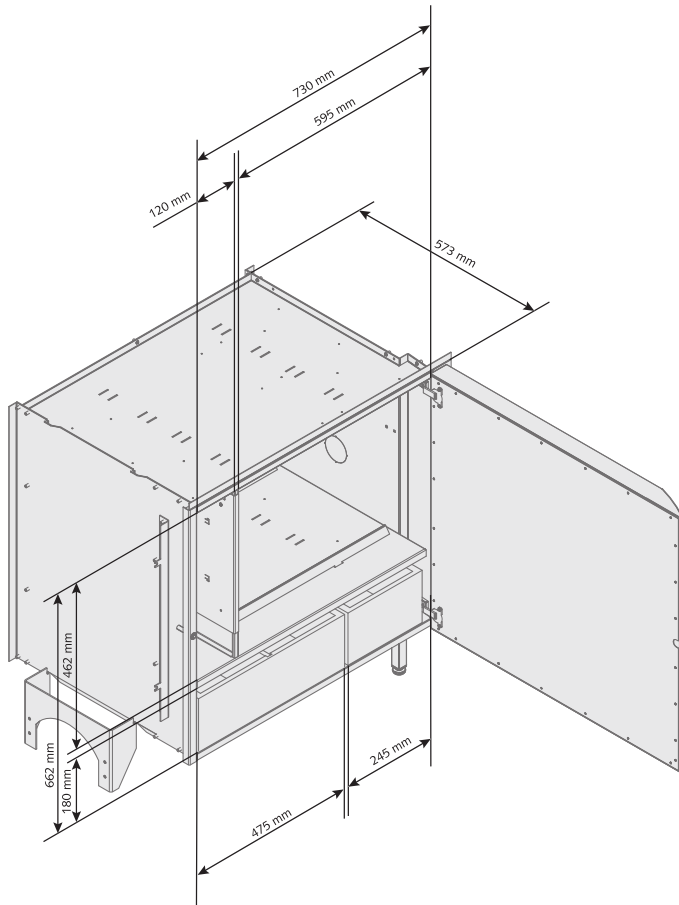
ASYMMETRICAL RIGHT



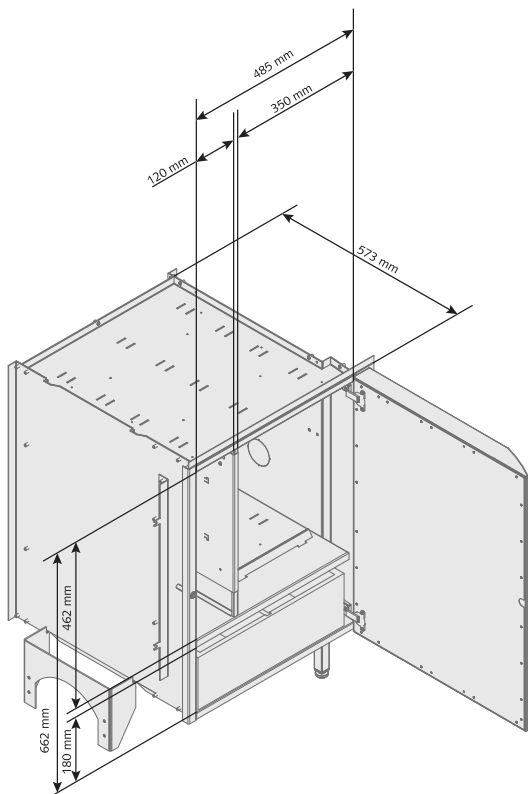
microMega + integrated niches



WIDE NICHE

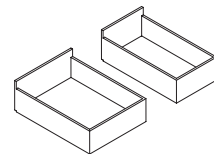


NARROW NICHE

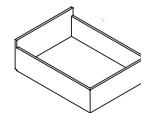


ACCESSORIES / EQUIPMENT

DRAWERS



* For 80 cm niche



* For 50 cm niche

BBQ

